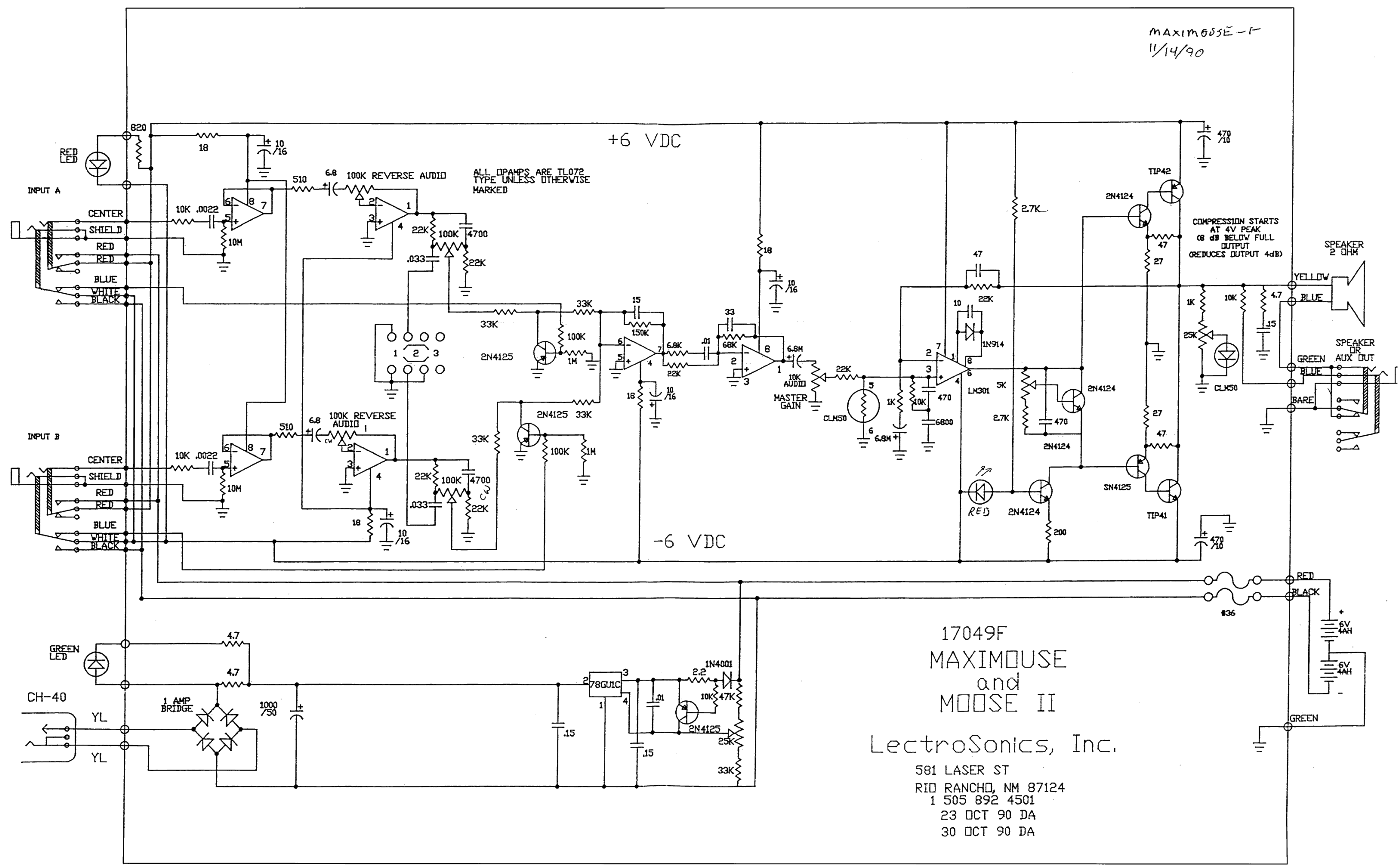


MAXIMOUSE - I
11/4/90



+6 VDC

-6 VDC

ALL OPAMPS ARE TL072
TYPE UNLESS OTHERWISE
MARKED

COMPRESSION STARTS
AT 4V PEAK
(8 dB BELOW FULL
OUTPUT
REDUCES OUTPUT 4dB)

17049F
MAXIMOUSE
and
MOUSE II
LectroSonic, Inc.
581 LASER ST
RIO RANCHO, NM 87124
1 505 892 4501
23 OCT 90 DA
30 OCT 90 DA

17049F 23 OCT 90 DA

MAXI-MOUSE - P
1/14/90

