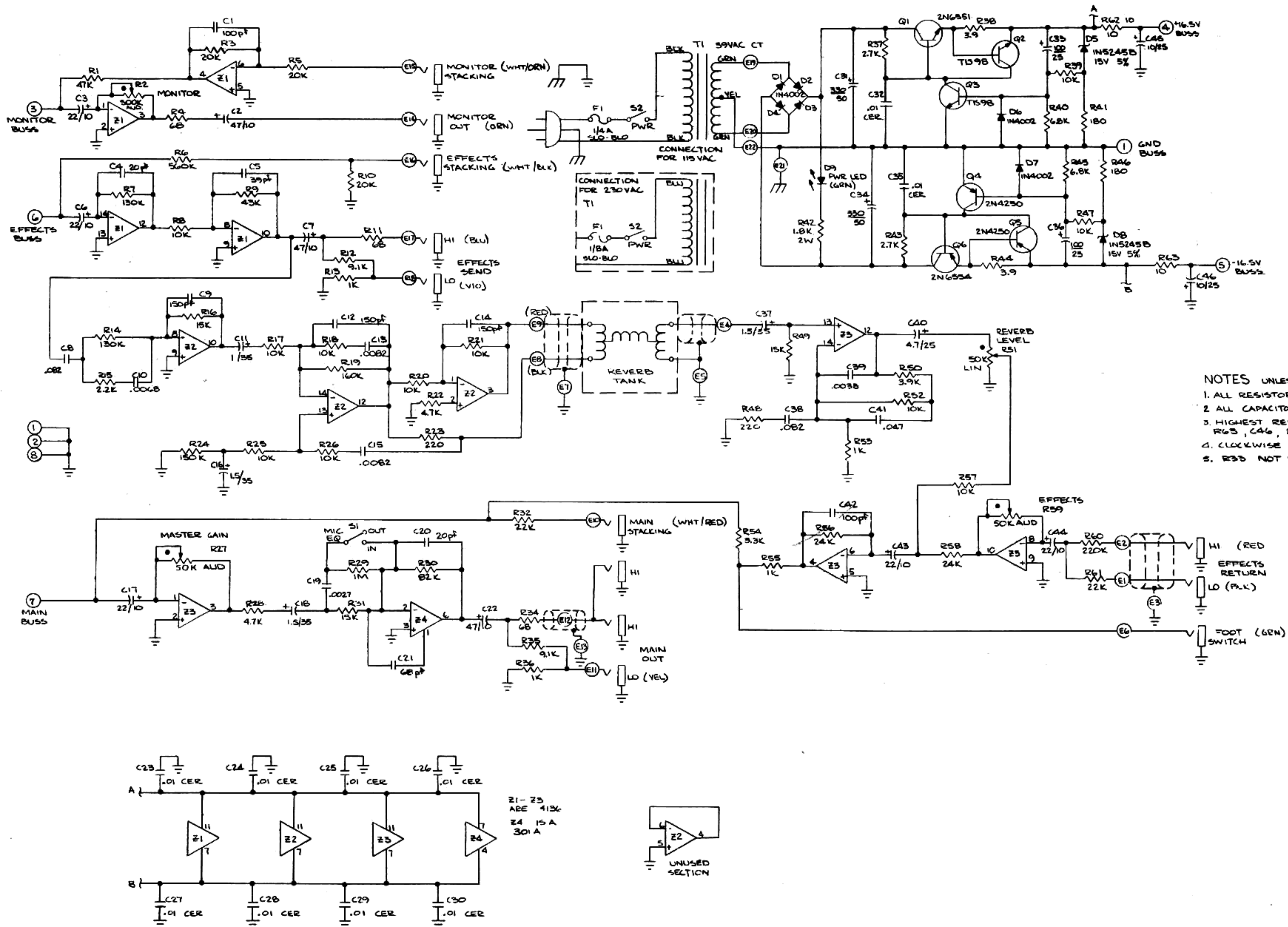


- NOTES:
1. UNLESS OTHERWISE NOTED RESISTORS ARE .5W, ±5% CARBON FILM. ALL RESISTANCE VALUES ARE IN OHMS.
 2. UNLESS OTHERWISE NOTED ALL CAP VALUES ARE IN MICROFARADS. LAST REF DES USED: R32 C15, 22, J8, E8 T1;
 3. CLOCKWISE POT ROTATION IS INDICATED BY SYMBOL ◻
 4. R24, 25, 27, 30 NOT USED.

TAPCO INPUT SECTION SCHEMATIC - 6001R
 Drawing Number 24287 Revision A



TAPCO

POWER SUPPLY AND OUTPUT SECTION SCHEMATIC - 6001R
Drawing Number 24289 Revision New scan: spamunkulus 2015